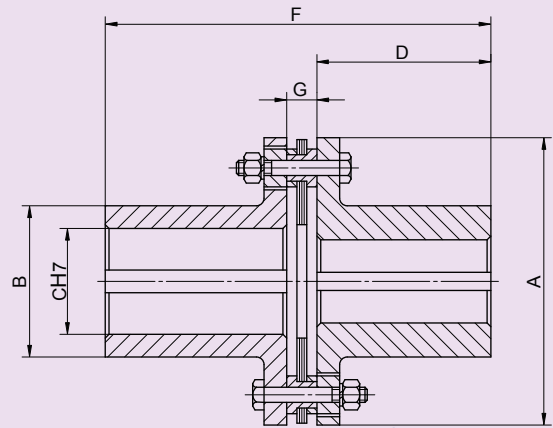


CO系列

CO : 无中间节过渡联结, 单组膜片补偿, 适用于主从动轴间距很小的环境

CO : No middle shaft transition connection, compensated through single set membrane. Suitable for environment with small distance between driving and driven shaft



参数表

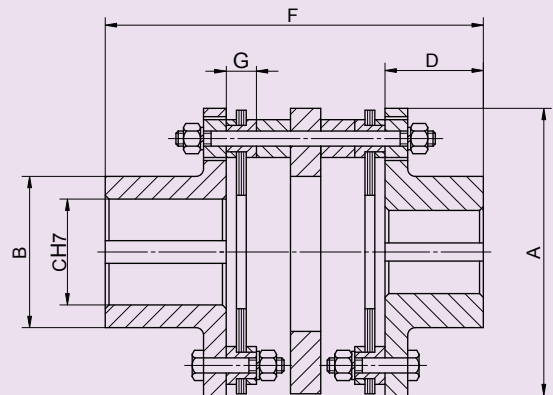
型号 Type	功率/转速 Power/Speed Pc/n ($\frac{kW}{r/min}$)	公称扭矩 Nominal torque (r/min)	最大许用转速 Max Permissible speed Nmax (r/min)	最大使用补偿值 Max Permissible compensating Value		A (mm)	B (mm)	Cmax (mm)	D* (mm)	F* (mm)	G (mm)
				角向 Angular max(°)	轴向 Axial ± amax(mm)						
COD4	0.004	40	4500	1/2	1.0	90	52	38	45	98	9.0
COD10	0.010	100	4300	1/2	1.2	105	60	42	50	112	11.6
COD16	0.016	160	4200	1/2	1.4	120	76	55	65	142	11.6
COD32	0.032	315	4100	1/2	1.6	135	85	60	70	153	13.0
COD82	0.082	800	3800	1/2	1.8	148	97	70	85	183	13.0
COD100	0.104	1000	3600	1/2	2.0	170	105	75	90	196	15.3
COD160	0.162	1600	3200	1/2	2.5	200	120	85	100	219	18.8

“*”表示的数值为参考值, 最终数值由客户端确定 “*” is reference value, final value should be decided by end user

CD系列

CD : 圆盘式过渡联结双组膜片补偿, 适用于主从动轴间距较小的环境。

CD : Round disc and two sets membranes transition connection. Suitable for environment with small distance between driving and driven shaft



参数表

型号 Type	功率/转速 Power/Speed Pc/n ($\frac{kW}{r/min}$)	公称扭矩 Nominal torque (r/min)	最大许用转速 Max permissible speed Nmax (r/min)	最大使用补偿值 Max permissible compensating value		A (mm)	B (mm)	Cmax (mm)	D* (mm)	F* (mm)	G (mm)
				角向 Angular max(°)	轴向 Axial ± amax(mm)						
CDD4	0.004	40	4500	1	2.5	90	52	38	45	126	9.0
CDD10	0.010	100	4300	1	2.6	105	60	42	50	147	11.6
CDD16	0.016	160	4200	1	3.2	120	76	55	65	173	11.6
CDD32	0.032	315	4100	1	3.6	135	85	60	70	201	13.0
CDD82	0.082	800	3800	1	4.5	148	97	70	85	223	13.0
CDD100	0.104	1000	3600	1	5.5	170	105	75	90	247	15.3
CDS42	0.042	400	4000	2/3	3.2	138	85	60	70	197	11.6
CDS130	0.130	1250	3700	2/3	3.8	172	105	75	90	247	15.3
CDS210	0.210	2000	3200	2/3	4.1	202	125	90	110	289	18.8
CDS320	0.320	3150	3200	2/3	4.3	225	140	100	120	320	18.8

“*”表示的数值为参考值, 最终数值由客户端确定 “*” is reference value, final value should be decided by end user